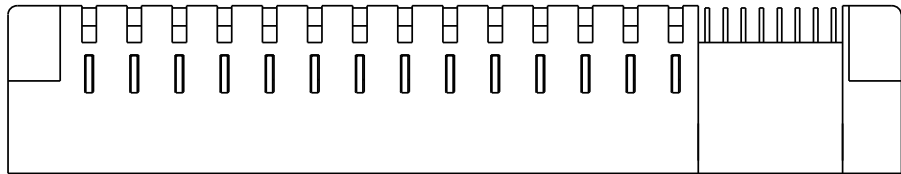


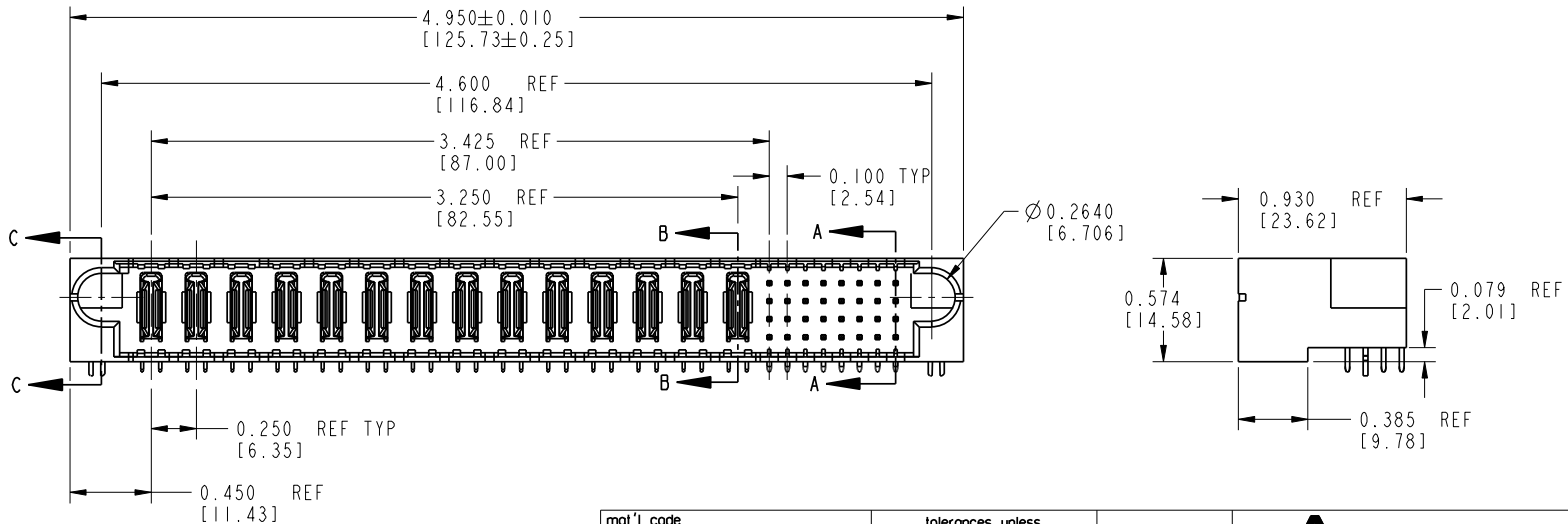
Tous droits strictement reserves. Reproduction ou communication a des tiers interdite sous quelque forme que ce soit sans autorisation écrite du propriétaire. Propriete de c FCI. Droits de reproduction FCI.

All rights strictly reserved. Reproduction or issue to third parties in any form without written authority from the proprietor. Property of FCI. Copyright FCI.

PRODUCT NUMBER
SEE SHEET 3



SEE NOTE 7



| | | | | | | | | | |
|--------------------------|----------------|-------|----------|---------------------------------------|--------------------|----------------|---|----------------|----------|
| mat'l code SEE NOTE 6 | | | | tolerances unless otherwise specified | | CUSTOMER COPY | www.fciconnect.com | | |
| lir | ecn no. | dr | date | linear | .XX±.01/.X±.3 | projection | title 14P + 32S RIGHT ANGLE SOLDER HEADER | | |
| J | DG05-0363 | GUOJM | 09/28/05 | | .XXX±.005/.X±.13 | | INCH / MM | product family | PWRBLADE |
| K | DG05-0563 | RYAN | 12/29/05 | angles | XXX±.0020/.XXX±.05 | scale | | size | 51401 |
| | | | | dr | C. BAROT 12-30-98 | | A | | |
| | | | | enrg | J. BROWN 12-30-98 | | | | |
| | | | | chr | J. BROWN 12-30-98 | | | | |
| | | | | appd | J. BROWN 12-30-98 | | | | |
| sheet index | revision sheet | K | K | K | | | | | |
| | | 1 | 2 | 3 | | | | | |

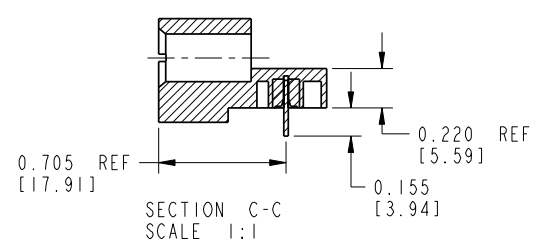
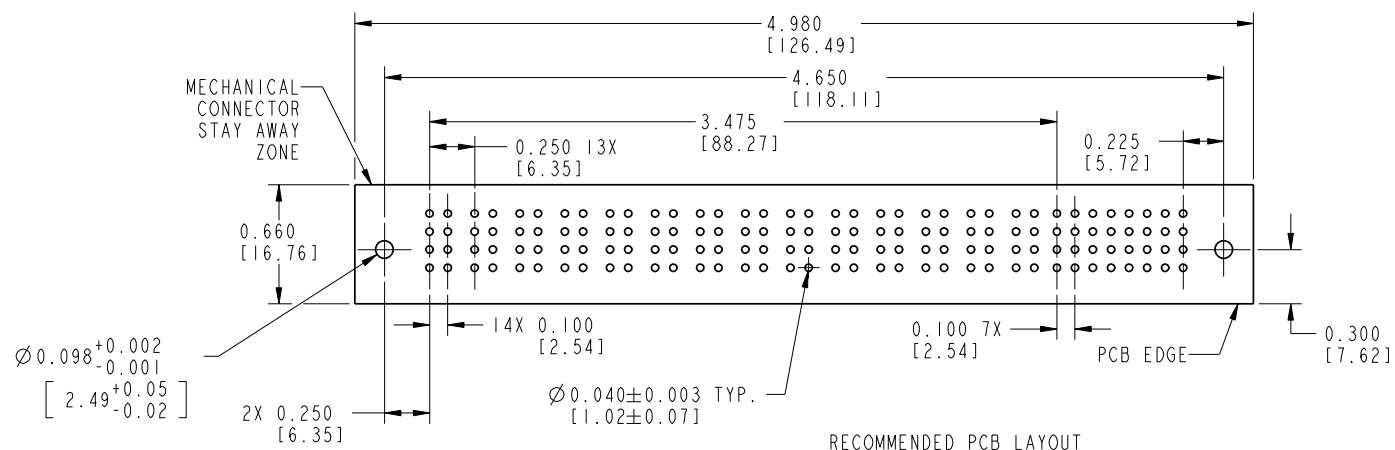
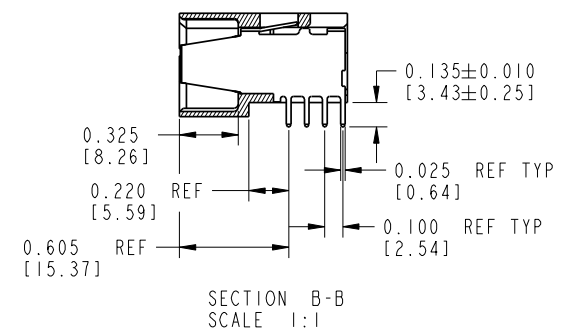
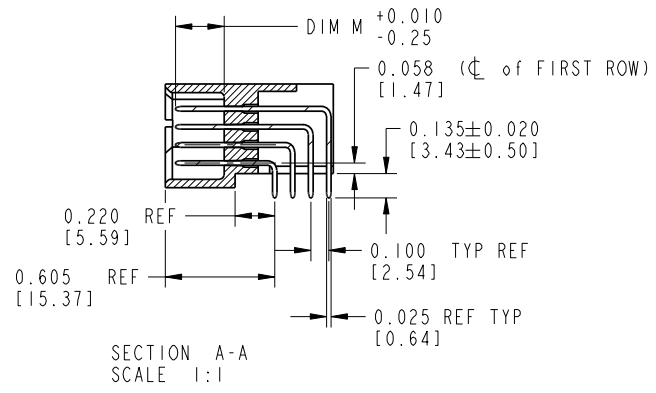
form no. 7530-001-103

cage code 22526

Tous droits strictement réservés. Reproduction ou communication o des tiers interdite sous quelque forme que ce soit sans autorisation écrite du propriétaire. Propriété de c FCI. Droits de reproduction FCI.

All rights strictly reserved. Reproduction or issue to third parties in any form without written authority from the proprietor. Property of FCI. Copyright FCI.

PRODUCT NUMBER
SEE SHEET 3



| | | | | | | | | | |
|-------------|----------------|----|------|---------------------------------------|--------------------|---------------|---------------------------|------------------------|--------|
| mat'l code | | | | tolerances unless otherwise specified | | CUSTOMER COPY | | www.fciconnect.com | |
| lfr | ecn no. | dr | date | linear | .XX±.01/.X±.3 | projection | title 14P + 32S | | |
| K | | | | | .XXX±.005/.X±.13 | | RIGHT ANGLE SOLDER HEADER | | |
| | | | | angles | XXX±.0020/.XXX±.05 | | product family | PWRBLADE | code |
| | | | | dr | 0°±2° | INCH / MM | size | dwg no | 213 |
| | | | | engr | C. BAROT 12-30-98 | scale | 51401 | | SHEET |
| | | | | chr | J. BROWN 12-30-98 | 1:1 | | | 2 OF 3 |
| | | | | appd | J. BROWN 12-30-98 | | | | |
| sheet index | revision sheet | | | | | | | | |

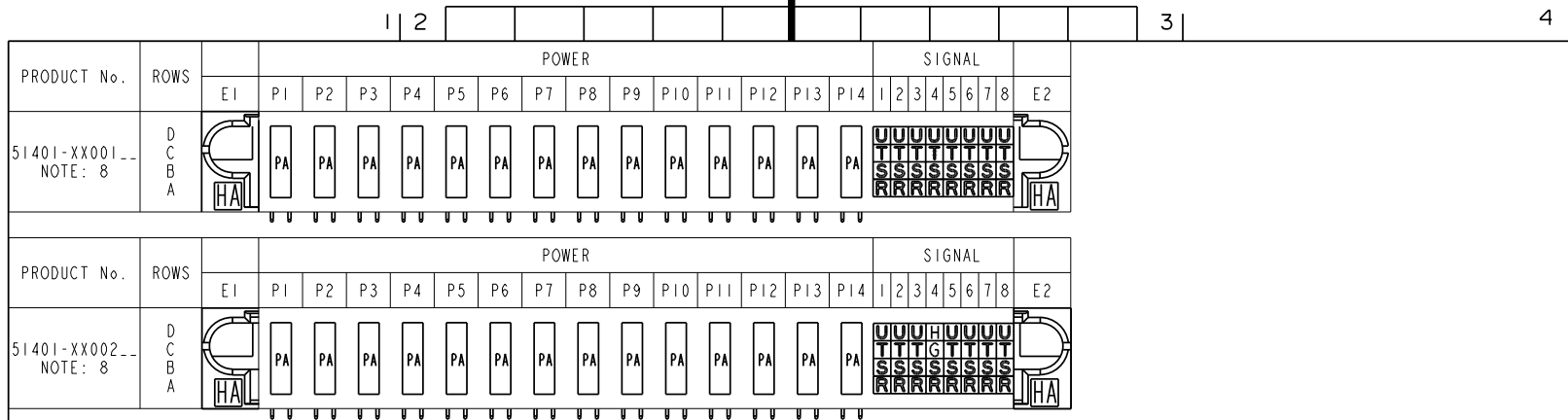
form no. 7530-001-103

cage code 22526

Tous droits strictement reserves. Reproduction ou communication o des tiers interdite sous quelque forme que ce soit sans autorisation ecrite du proprietaire. Propriete de c FCI. Droits de reproduction FCI.

A FCI

All rights strictly reserved. Reproduction or issue to third parties in any form without written authority from the proprietor. Property of FCI. Copyright FCI.



PCB - NOTES

1. ALL DIMENSIONS ARE BASIC UNLESS OTHERWISE SPECIFIED.
2. ALL THROUGH HOLES ARE LOCATED WITH A TRUE POSITION OF .004
3. ALL HOLE DIAMETERS ARE FINISHED HOLE SIZE
4. $\varnothing 0.098/2.49$ THROUGH HOLES ARE UNPLATED
5. $\varnothing 0.0453/1.151$ DRILLED HOLES PLATED WITH .0003/.007 MIN SnPb OVER .001/1.03 to .003/.08 PLATING TO ACHIEVE A $.080 \pm .003/1.02 \pm .08$ HOLE

CONNECTORS - NOTES

6. HOUSING MATERIAL: UL94V-0 GLASS-FILLED HIGH TEMP THERMOPLASTIC
SIGNAL PIN MATERIAL: COPPER ALLOY
POWER CONTACT MATERIAL: COPPER ALLOY
7. "MANUFACTURER" NAME, P/N, AND DATE CODE TO APPEAR ON THIS SURFACE
8. PLATING:

51401-XXYYY: SIGNAL PIN: 30u"/0.76um Au OVER 50u"/1.27um Ni ON THE CONTACT AREA AND 100u"/2.54um SnPb OVER 50u"/1.27um Ni ON THE TERMINATION AREA
POWER PIN: 30u"/0.76um Au OVER 50u"/1.27um Ni ON THE CONTACT AREA AND 100u"/2.54um SnPb OVER 50u"/1.27um Ni ON THE TERMINATION AREA

51401-XXYYLFF: SIGNAL PIN: 30u"/0.76um Au OVER 50u"/1.27um Ni ON THE CONTACT AREA AND 78u"/2.00um Sn OVER 50u"/1.27um Ni ON THE TERMINATION AREA
POWER PIN: 30u"/0.76um Au OVER 50u"/1.27um Ni ON THE CONTACT AREA AND 78u"/2.00um Sn OVER 50u"/1.27um Ni ON THE TERMINATION AREA

PART NUMBER 51401-XXYYLFF MEETS EUROPEAN UNION DIRECTIVE AND OTHER COUNTRY REGULATIONS AS DESCRIBED IN GS-22-008.

THE HOUSING WILL WITHSTAND EXPOSURE TO 260° PEAK TEMPERATURE FOR 10 SECONDS IN A WAVE SOLDER APPLICATION WITH A CIRCUIT BOARD.

| CODE | DIM "M" MATING LENGTH | CONTACT TYPE |
|------|-----------------------|--------------|
| G | 0.220 [5.59] | SIGNAL |
| H | 0.220 [5.59] | SIGNAL |
| R | 0.270 [6.86] | SIGNAL |
| S | 0.270 [6.86] | SIGNAL |
| T | 0.270 [6.86] | SIGNAL |
| U | 0.270 [6.86] | SIGNAL |
| PA | N/A [N/A] | POWER |
| HA | N/A [N/A] | HOLD-DOWN |

| mat'l code | | | | tolerances unless otherwise specified | | CUSTOMER COPY | | www.fciconnect.com | |
|-------------|----------------|----|------|---------------------------------------|--------------------|---------------|---------------------------|------------------------|----------|
| lfr | ecn no. | dr | date | linear | .XX±.01/.X±.3 | projection | title 14P + 32S | | |
| K | | | | angles | .XXX±.005/.X±.13 | INCH / MM | RIGHT ANGLE SOLDER HEADER | | |
| | | | | dr | XXX±.0020/.XXX±.05 | | product family | PWRBLADE | code |
| | | | | enrg | | scale | 1:1 | product family | PWRBLADE |
| | | | | chr | C. BAROT 12-30-98 | size | A | dwg no | 51401 |
| | | | | appd | J. BROWN 12-30-98 | | | | |
| | | | | | J. BROWN 12-30-98 | | | | |
| sheet index | revision sheet | | | | | | | | |

form no. 7530-001-I03

code 22526